

THREADED BODY

AISI 303 stainless steel.

PLUNGER

Nickel-plated AISI 303 stainless steel.

Suggested tolerance for matching hole = H7.

LOCKING NUT

Stainless steel.

KNOB

High-resilience polyamide based (PA) technopolymer, black colour, matte finish.

STANDARD EXECUTIONS

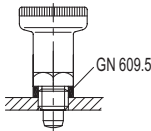
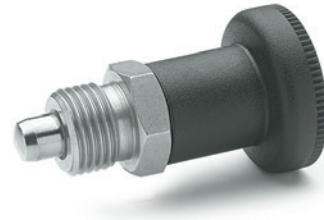
- **GN 607.1-A-NI**: with knob, without locking nut.
- **GN 607.1-AK-NI**: with knob, with locking nut.

FEATURES AND APPLICATIONS

GN 607.1-NI indexing plungers with rest position have compact dimensions and are used on thin metal sheets and where the plunger needs to be locked in the retracted position.

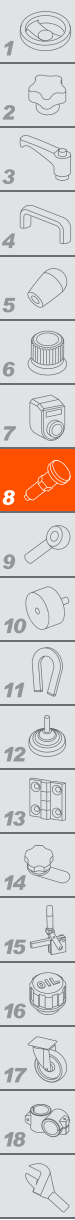
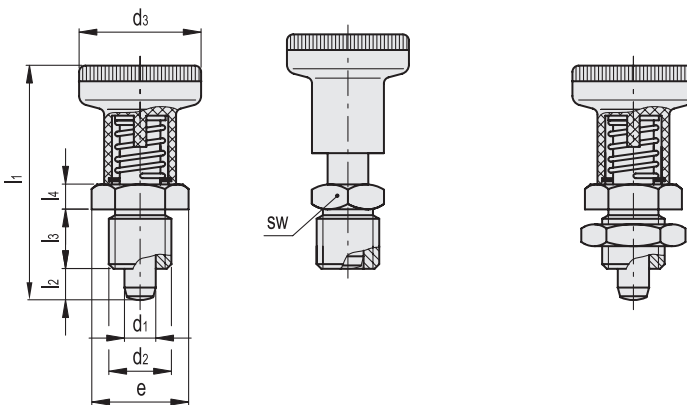
ACCESSORIES ON REQUEST

AISI 303 stainless steel distance bushings GN 609.5 (see page 906) for the assembly of the indexing plunger on thin sheets.



GN 607.1-A-NI

GN 607.1-AK-NI



Code	Description	d1		d2	d3	e	l1	l2	l3-0.15	l4	sw	Spring preload [N]	Spring max load [N]	Axial holding force [N]	
		Plunger -0.02-0.05	Hole H7											⚖	
GN.35060	GN 607.1-6-A-NI	6	M12x1.5	25	19.6	45	6	10	5	17	7	18	400	34	
GN.35070	GN 607.1-8-A-NI	8	M16x1.5	31	21.9	54	8	12	6	19	14	24	500	59	
GN.35059	GN 607.1-6-AK-NI	6	M12x1.5	25	19.6	45	6	10	5	17	7	18	400	42	
GN.35069	GN 607.1-8-AK-NI	8	M16x1.5	31	21.9	54	8	12	6	19	14	24	500	75	